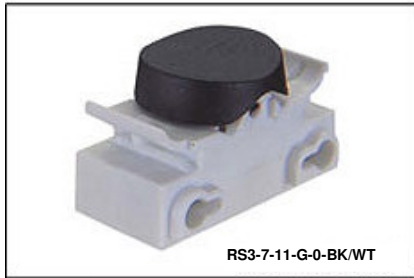


Rocker Switch (RS3-7 Series)

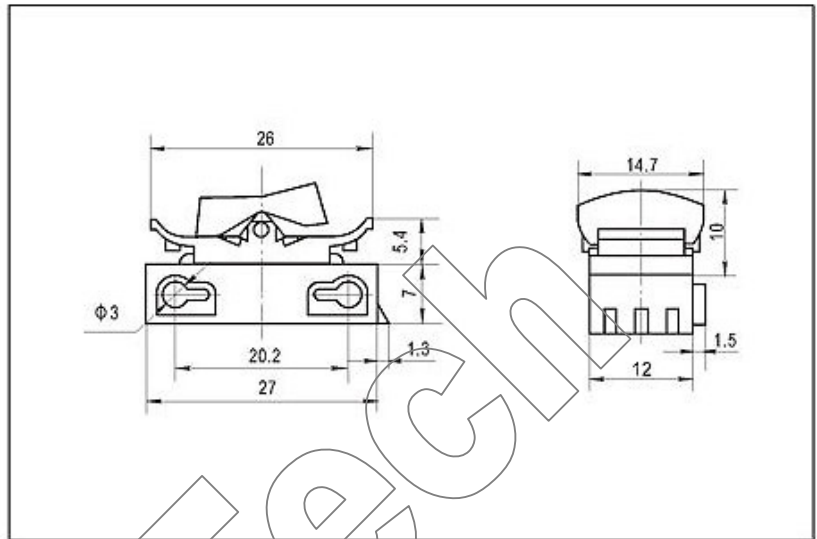


SPECIFICATIONS

(G): 6A 250VAC T125/55 1E4

10A 125VAC T85

ROHS Compliance



RS3 - 7 - 11 - G - 0 - BK/WT